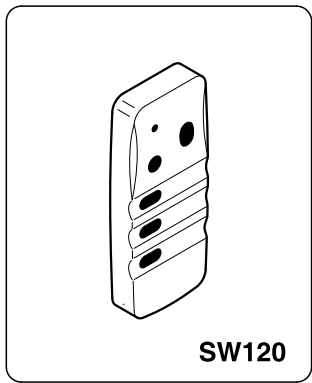
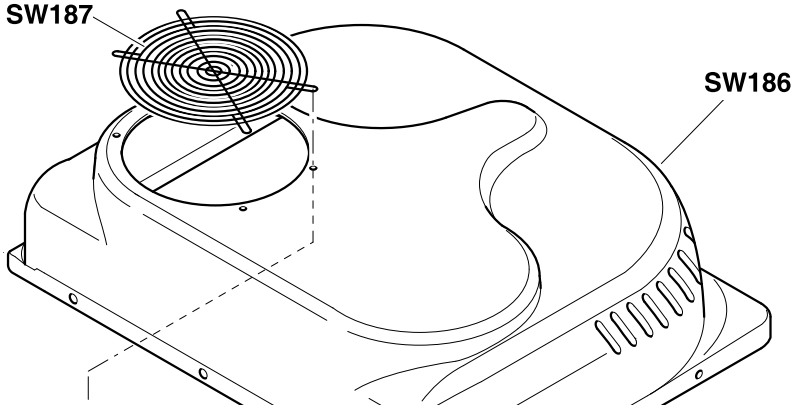




Service Parts Breakdown

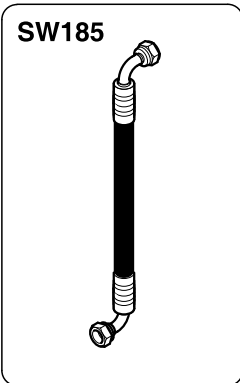


SW120

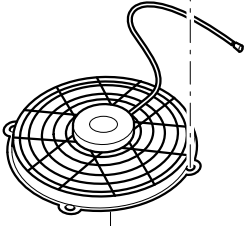


SW187

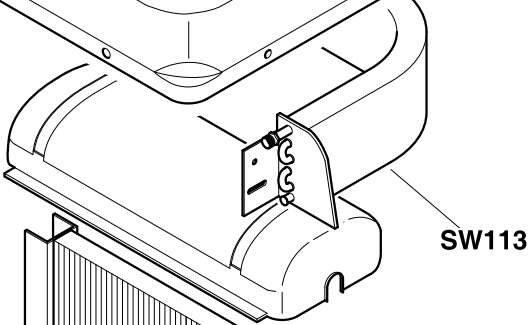
SW186



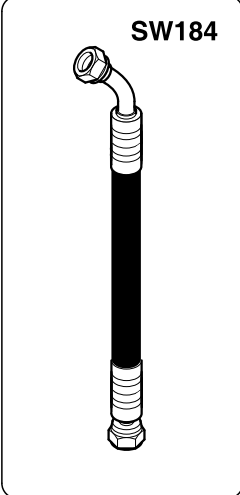
SW185



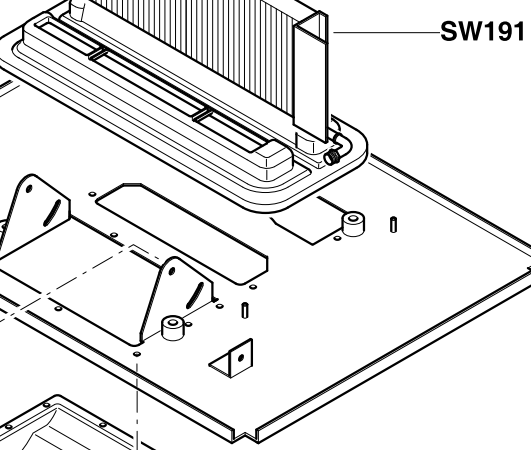
SW183



SW113



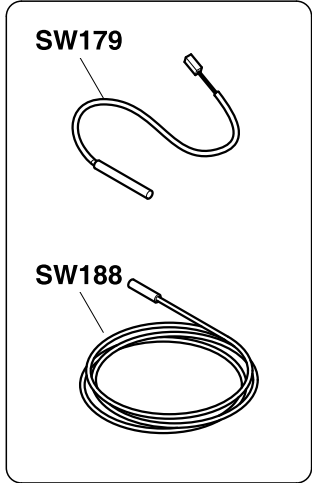
SW184



SW191

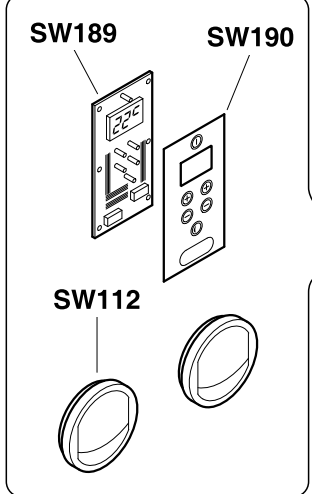
SW103

SW178



SW179

SW188

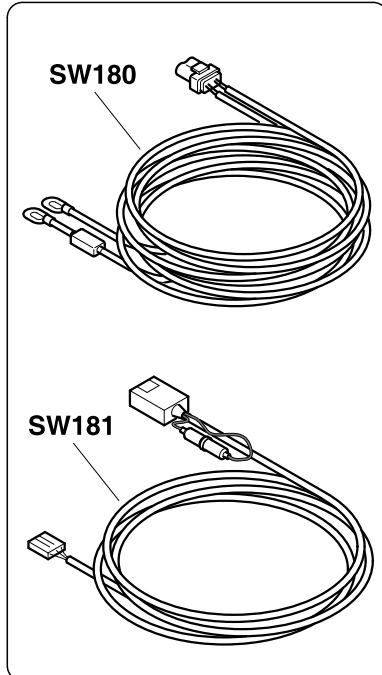


SW189

SW190

SW112

SW177



SW180

SW181

SW182

Rev. 06/2008

Part Number	Description
SW103	Danfoss BD350GH Compressor
SW112	Louver
SW113	Condenser Coil
SW120	Remote Control
SW177	Axial Ventilator
SW178	Control Unit
SW179	Tilt Cab Sensor
SW180	Communication Cable
SW181	Fan Power Supply Cable
SW182	Cover for Evaporator Unit
SW183	Condensing Unit Fan
SW184	Pipe 13/32" Evaporator - Condenser
SW185	Pipe 5/16" Compressor - Condenser
SW186	Cover for Condenser Unit
SW187	Protective Grid
SW188	Temperature Sensor
SW189	Electronic Board/Display
SW190	Electronic Board/Display Decal
SW191	Evaporator
SW192	Condenser