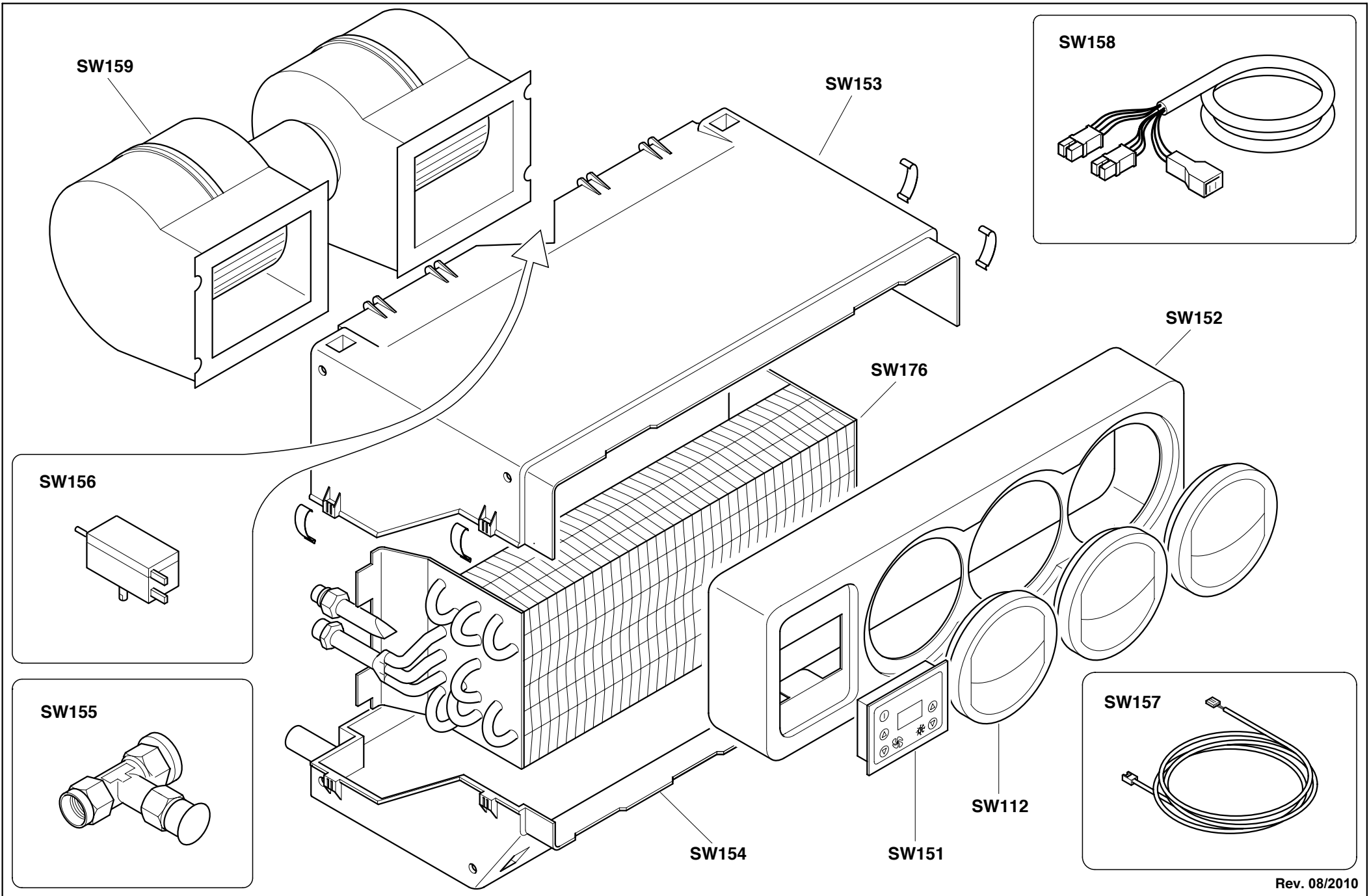
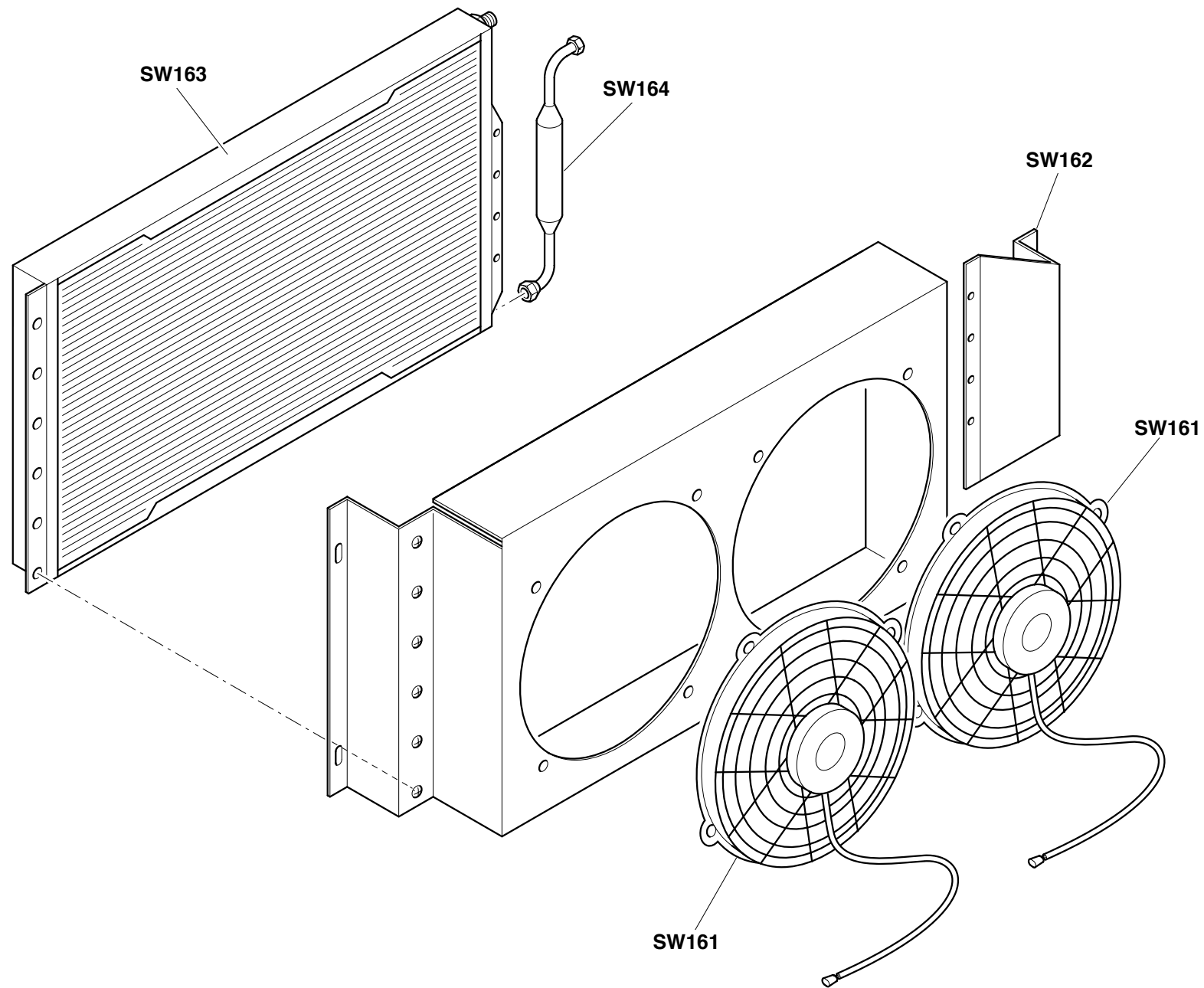


**sleeping**  
**Arctic Well 2000**

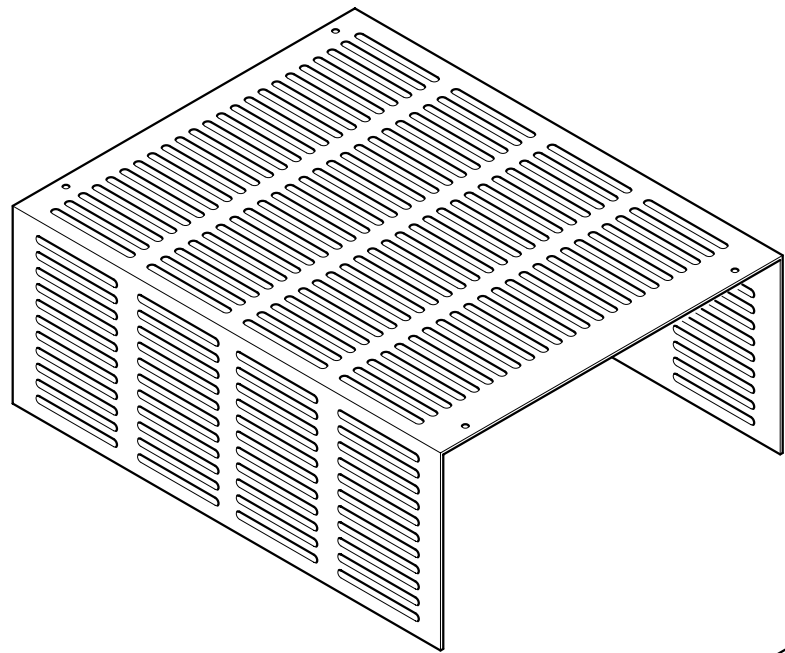
## **Service Parts Breakdown**



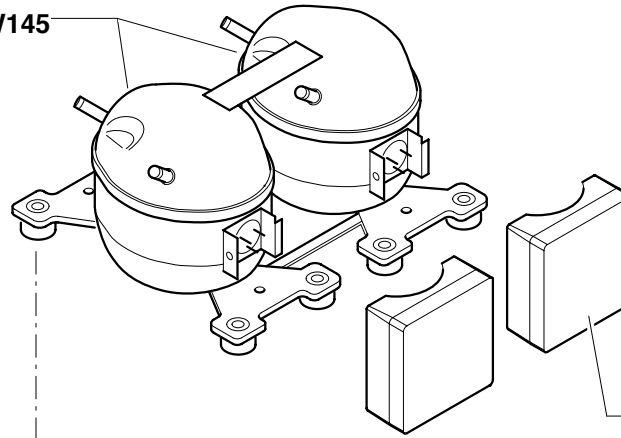
Rev. 08/2010



Rev. 08/2010

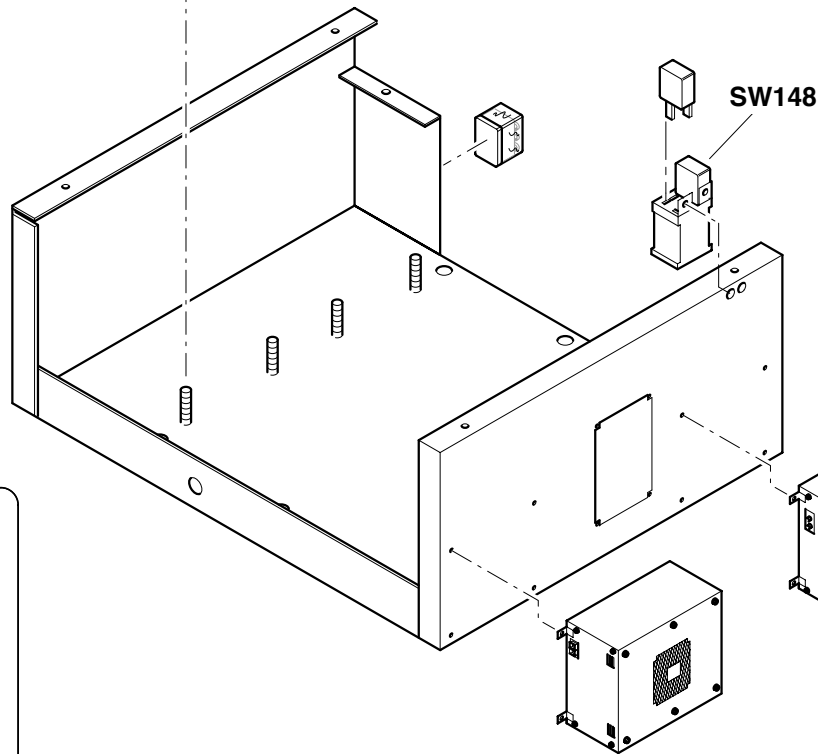
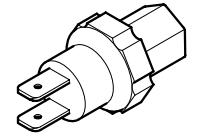


SW145



SW144

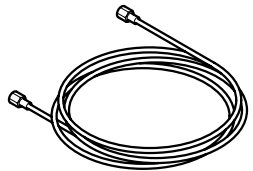
SW146



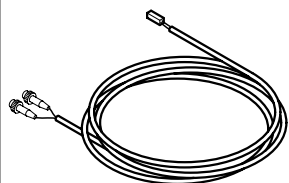
SW148

SW193

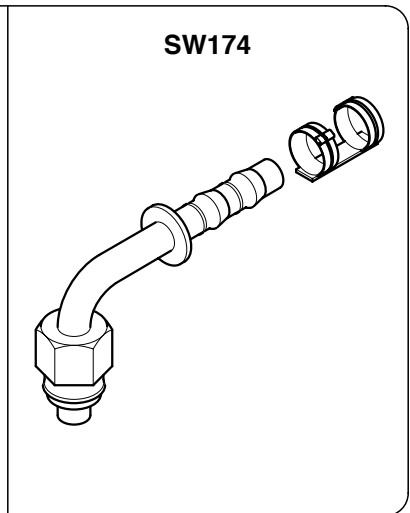
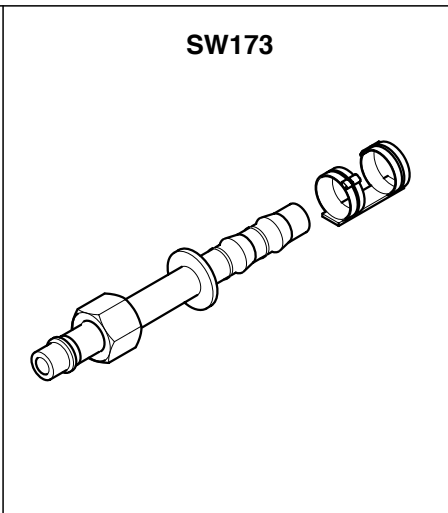
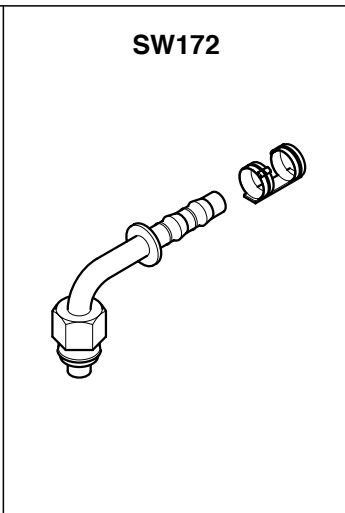
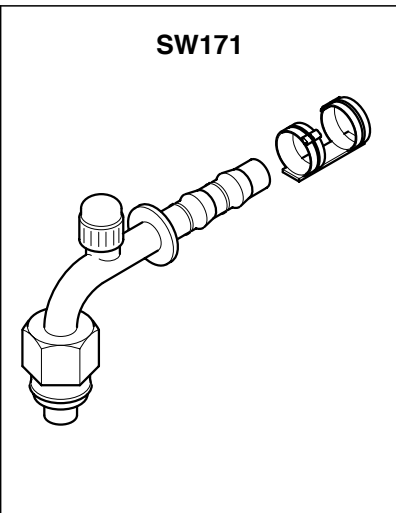
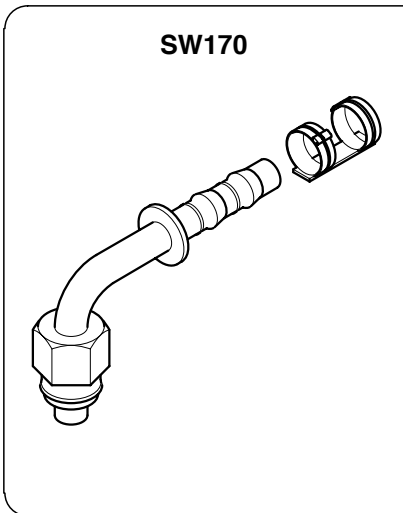
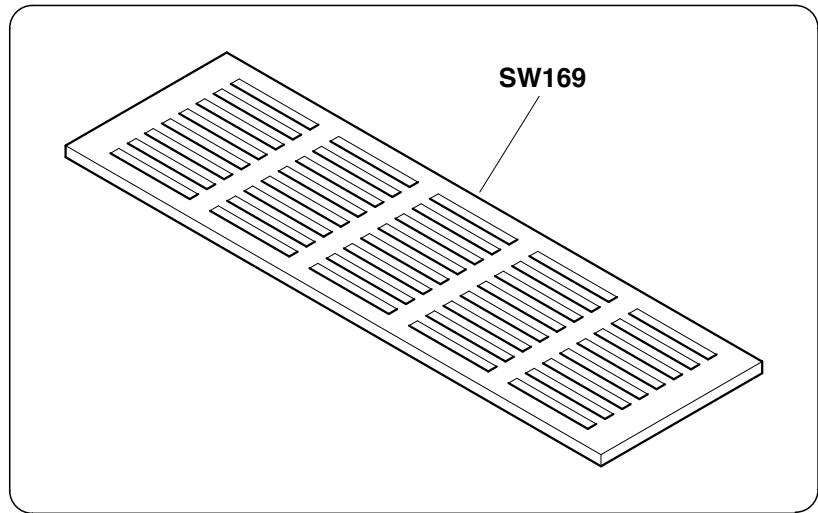
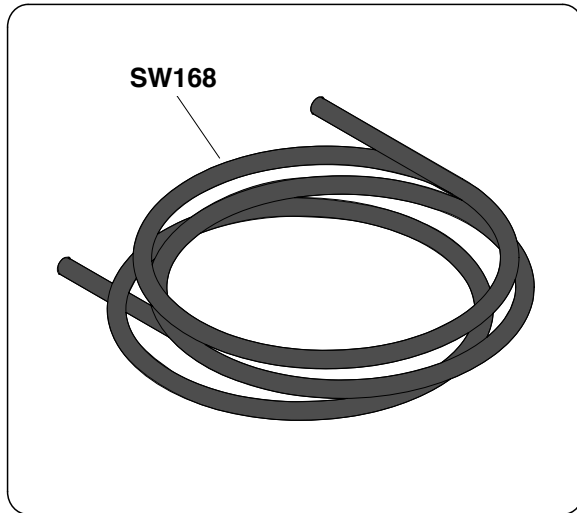
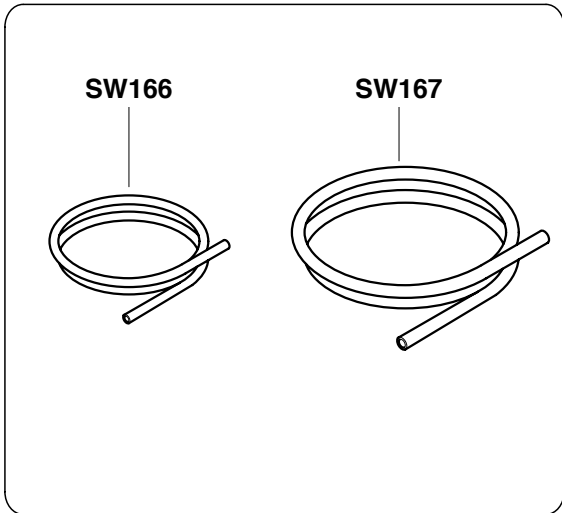
SW149



SW147



Rev. 08/2010



# Parts Breakdown

Part Number	Description
SW112	Louver
SW193	Inverter
SW144	Control Unit
SW145	Compressor
SW146	Pressure Switch
SW147	Compressor Temperature Sensor
SW148	12 Volt Relay
SW149	Connecting Fan Cable
SW150	Complete Condensing Unit
SW151	Display Board
SW152	Plastic Diffuser
SW153	Upper Plastic
SW154	Lower Plastic
SW155	Expansion Valve
SW156	Anti-Ice Thermostat
SW157	Evaporator Temperature Sensor
SW158	Complete Evaporator Cabling
SW159	Fan
SW160	Complete Evaporating Unit
SW161	Axial Ventilator
SW162	Stainless Steel Air Conveyor
SW163	Condensing Unit
SW164	Complete Filter Dryer
SW165	Complete Condensing Unit
SW166 – USE 78R8456	G6 Aluminum Tube
SW167 – USE 78R8458	G8 Aluminum Tube
SW168	Insulating Gasket
SW169	Air Grid
SW170 – USE 70R8698	Connector F90° for G8 Tube
SW171 – USE 70R8098	Connector F90° for G8 Tube with Valve
SW172 – USE 70R8696	Connector F90° for G6 Tube
SW173 – USE 70R8608	Straight Connector for G8 Tube
SW174 – USE 70R8796	Connector 90° for G8 Tube
SW175	Assembling Kit
SW176	Evaporator